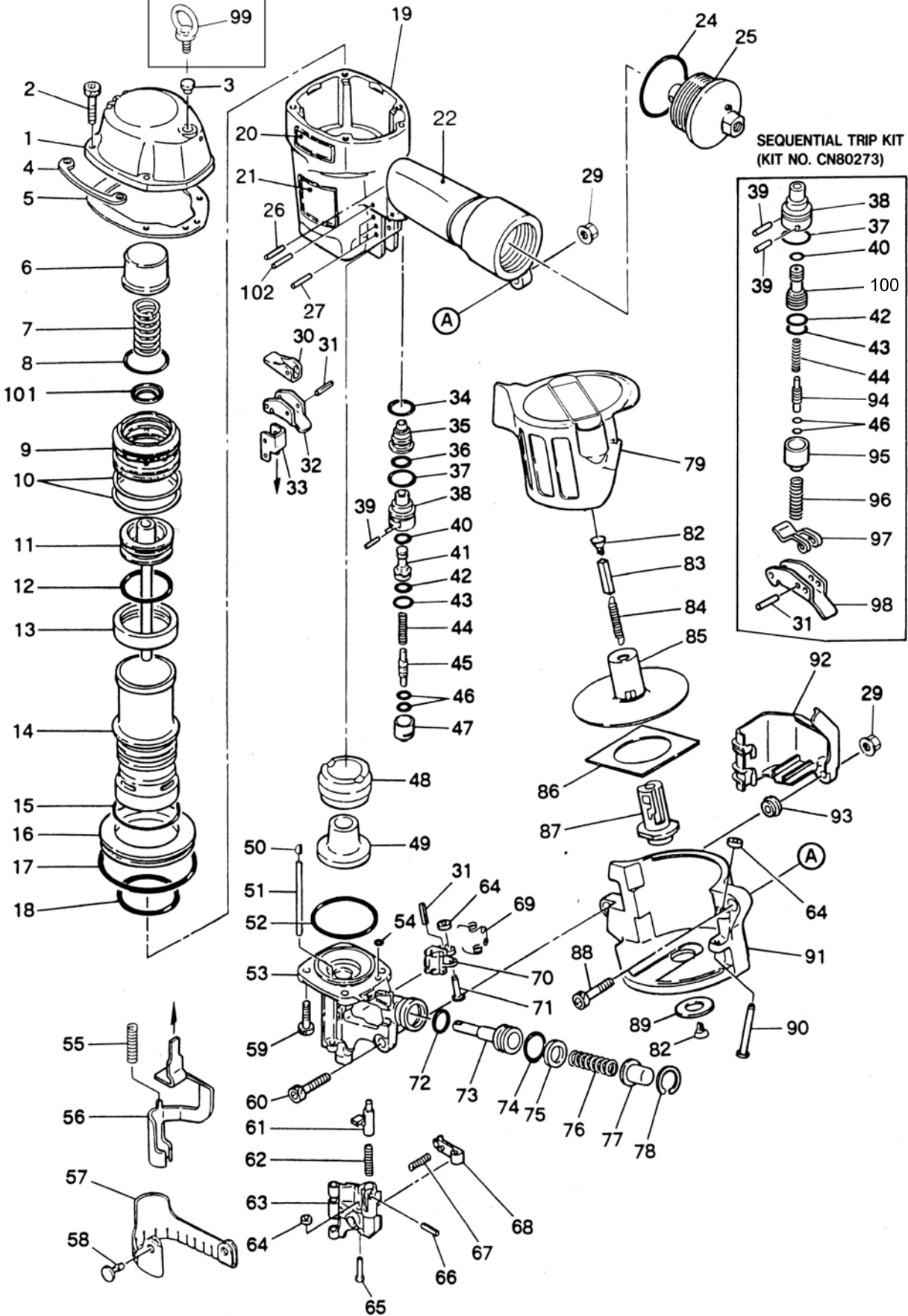
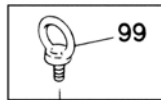


# CN70

## OPTIONAL PARTS



## MAX PARTS PRICE LIST

Model	Part NO	Part Code	Description
CN70	1	CN81205	CYLINDER CAP UNIT (REPLACES CN34422)
CN70	2	BB40422	BOLT 6X30
CN70	3	TA12319	GROMMET
CN70	4	CN37550	PROTECTOR (REPLACES CN35766)
CN70	5	CN37549	CYLINDER CAP SEAL (REPLACES CN34467)
CN70	6	CN37525	PISTON STOP (REPLACES CN31555)
CN70	7	KK23195	COMPRESSION SPRING -3195
CN70	8	HH19142	O-RING 1A3X56,6
CN70	9	CN37526	HEAD VALVE PISTON (REPLACES CN35826)
CN70	10	HH19195	O-RING 1A3X56,8
CN70	11	CN81204	MAIN PISTON UNIT (REPLACES CN31657)
CN70	12	HH19196	O-RING 1A4,9X43
CN70	13	CN37527	CYLINDER SEAL (REPLACES CN31560)
CN70	14	CN37532	CYLINDER REPLACES CN31558
CN70	15	HH19192	O-RING 1A3,1X56,5
CN70	16	CN37524	CYLINDER RING (REPLACES CN31559)
CN70	17	HH12117	O-RING 1AG85
CN70	18	HH11169	O-RING 1AP56
CN70	19	CN37546	FRAME (REPLACES CN34441)
CN70	20	CN34426	"CN70" LABEL
CN70	21	CN37439	WARNING LABEL (MAGAZINE) (REPLACES CN34879)
CN70	22	CN34703	GRIP COVER
CN70	23	CN32722	GRIP TAPE
CN70	24	HH12102	O-RING 1AG50
CN70	25	CN81221	END CAP, REPLACES CN34455
CN70	26	FF21229	ROLL PIN 3X20
CN70	27	FF21221	ROLL PIN 3X25
CN70	29	CC00402	ELASTIC STOP NUT M6X1
CN70	30	CN37424	CONTACT LEVER (REPLACES TA10506)
CN70	31	FF21220	ROLL PIN 3X16
CN70	32	CN37423	TRIGGER (REPLACES TA10505)
CN70	33	CN37553	ARM GUIDE (REPLACES CN35855)
CN70	34	HH11159	O-RING ARP568-016
CN70	35	CN37529	TRIGGER VALVE CAGE (REPLACES CN31661)
CN70	36	HH11151	O-RING ARP 568-013 (CN70)
CN70	37	HH11138	O-RING 1AP20
CN70	38	CN32247	TRIGGER VALVE HOUSING
CN70	39	FF30161	STRAIGHT PIN 161
CN70	40	HH11119	O-RING 1AP6
CN70	41	CN31589	PILOT VALVE
CN70	42	HH11209	O-RING 1BP7
CN70	43	HH11113	O-RING 1AP9
CN70	44	KK24123	COMPRESSION SPRING 4123
CN70	45	CN31347	TRIGGER VALVE STEM
CN70	46	HH11901	O-RING 1B1, 4X2,5
CN70	47	CN31346	TRIGGER VALVE CAP
CN70	48	CN31563	BUMPER"A"
CN70	49	CN31564	BUMPER "B"
CN70	50	CN31594	PIN CAP
CN70	51	FF31127	STRAIGHT PIN 1127
CN70	52	HH19139	O-RING 1A1,5X53,5

## MAX PARTS PRICE LIST

Model	Part NO	Part Code	Description
CN70	53	CN37521	NOSE (REPLACES CN34432)
CN70	54	HH19125	O-RING 1A1, 6X4.2
CN70	55	KK23223	COMPRESSION SPRING 3223
CN70	56	CN35827	CONTACT ARM UNIT, REPLACES PART# CN31662
CN70	57	CN31582	DUST COVER
CN70	58	CN31083	DUST COVER HOOK
CN70	59	BB40443	SCREW M8X28
CN70	60	BB40457	SCREW M6X38, REPLACES PART# BB40465
CN70	61	CN37371	DOOR LATCH (REPLACES CN30587)
CN70	62	KK23123	COMPRESSION SPRING 3123
CN70	63	CN37522	DOOR (REPLACES CN34427)
CN70	64	EE39602	RUBBER WASHER 7, REPLACES PART#'S EE39604, EE39623
CN70	65	FF41286	STEP IN 1286
CN70	66	FF21234	ROLL PIN 3X12
CN70	67	KK23109	COMPRESSION SPRING 3109
CN70	68	CN37523	CHECK PAWL (Replaces CN30584)
CN70	69	KK33058	TORSION SPRING 3058
CN70	70	CN31568	FEED PAWL
CN70	71	FF41263	STEP PIN 1263
CN70	72	HH11132	O-RING 1AP10A
CN70	73	CN37537	FEED PISTON (REPLACES CN31569)
CN70	74	HH11143	O-RING 1AP21
CN70	75	CN37528	FEED PISTON STOP (REPLACES CN31570)
CN70	76	KK23225	COMPRESSION SPRING 3225
CN70	77	CN37538	SPRING COLLAR (REPLACES CN31571)
CN70	78	JJ22407	RETAINING RING C26
CN70	79	CN35828	MAGAZINE COVER,---Replaces Old# CN33024, CN31580
CN70	82	CN37383	RECEIVER SPRING (REPLACES CN30602)
CN70	83	CN30601	SPACER
CN70	84	KK13144	TENSION SPRING 3144
CN70	85	CN31575	NAIL SUPPOR UNIT
CN70	86	CN31578	RUBBER PLATE
CN70	87	CN37530	MAGAZINE POST (REPLACES CN31579)
CN70	88	BB40487	SCREW M6X35
CN70	89	EE39608	POST RETAINER
CN70	90	FF41287	STEP PIN 1287
CN70	91	CN37545	MAGAZINE (REPLACES CN34431)
CN70	92	CN37535	CONTACT ARM COVER (REPLACES CN31566)
CN70	93	CN32170	COLLAR
CN70	94	CN31715	TRIGGER VALVE STEM
CN70	95	CN31716	TRIGGER VALVE CAP
CN70	96	KK23228	COMPRESSION SPRING 3228
CN70	97	CN34300	CONTACT LEVER
CN70	98	CN30276	TRIGGER
CN70	99	BB10401	HANGER
CN70	100	CN33627	PILOT VALVE
CN70	101	CN37547	HEAD VALVE WASHER (REPLACES CN34453)
CN70	102	FF21611	ROLL PIN 3X32 AW
CN70	103	CN80548	TRIGGER VALVE KIT (SN90A)