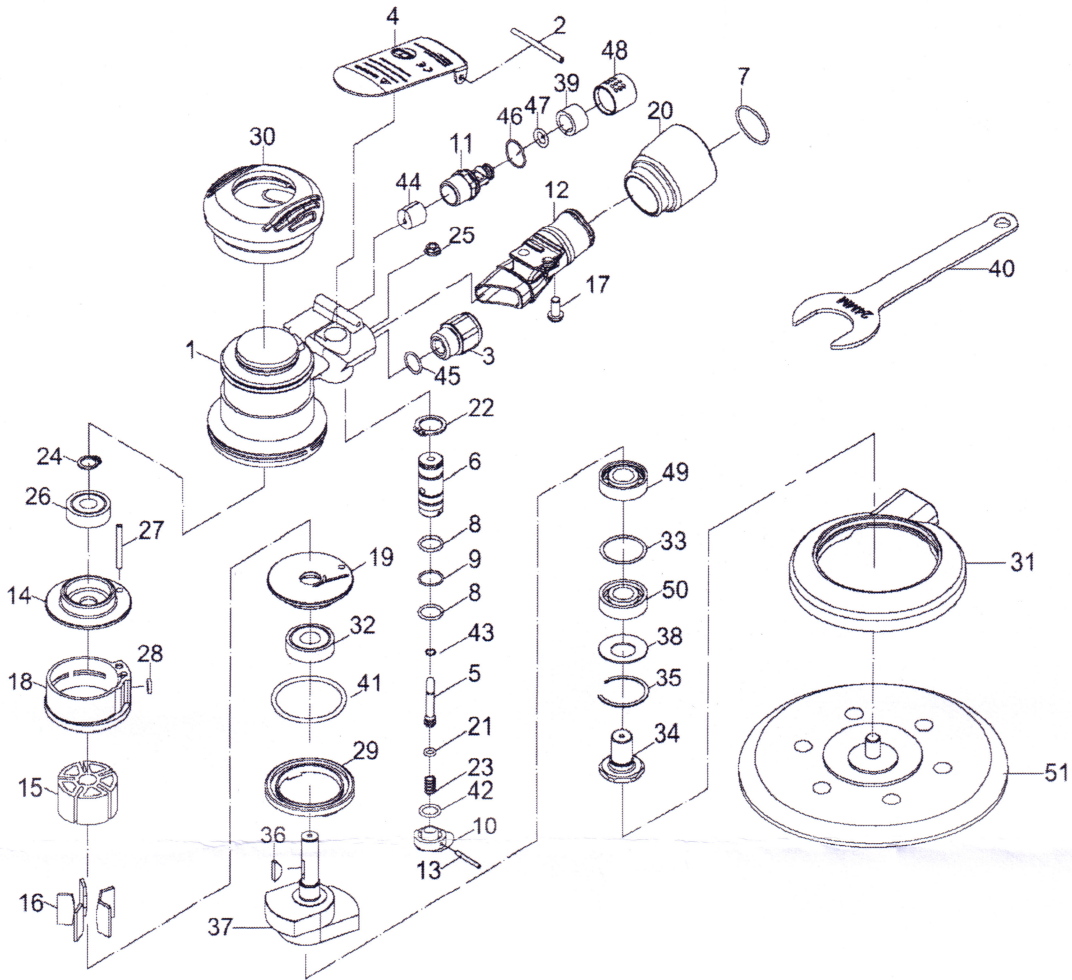


SP-3005V 5" PALM SANDER (CENTRAL-VACUUM)



Index No.	Part No.	Description
1	SP-3005V-01	Housing
2	SP-3005V-02	Spring Pin
3	SP-3005V-03	Air Inlet
4	SP-3005V-04	Throttle Lever
5	SP-3005V-05	Shaft
6	SP-3005V-06	Bushing
7	SP-3005V-07	O-Ring
8	SP-3005V-08	O-Ring (2)
9	SP-3005V-09	O-Ring
10	SP-3005V-10	Regulator
11	SP-3005V-11	Exhaust Shafte
12	SP-3005V-12	Adapter
13	SP-3005V-13	Spring Pin
14	SP-3005V-14	Rear End Plate
15	SP-3005V-15	Rotor
16	SP-3005V-16	Rotor Blade (5)
17	SP-3005V-17	Screw
18	SP-3005V-18	Cylinder
19	SP-3005V-19	Front End Plate
20	SP-3005V-20	Swivel Exhaust
21	SP-3005V-21	O-Ring
22	SP-3005V-22	Retaining Ring
23	SP-3005V-23	Spring
24	SP-3005V-24	Retainer Ring
25	SP-3005V-25	Nut
26	SP-3005V-26	Ball Bearing

Index No.	Part No.	Description
27	SP-3005V-27	Spring Pin
28	SP-3005V-28	O-Ring
29	SP-3005V-29	Lock Ring
30	SP-3005V-30	Grip Hat
31	SP-3005V-31	Shroud
32	SP-3005V-32	Ball Bearing
33	SP-3005V-33	Washer
34	SP-3005V-34	Key
35	SP-3005V-35	Snap Ring
36	SP-3005V-36	Shaft
37	SP-3005V-37	Balancer Shaft
38	SP-3005V-38	Washer
39	SP-3005V-39	Muffler
40	SP-3005V-40	Spanner
41	SP-3005V-41	O-Ring
42	SP-3005V-42	O-Ring
43	SP-3005V-43	O-Ring
44	SP-3005V-44	Muffler
45	SP-3005V-45	O-Ring
46	SP-3005V-46	O-Ring
47	SP-3005V-47	O-Ring
48	SP-3005V-48	Exhaust Sleeve
49	SP-3005V-49	Ball Bearing
50	SP-3005V-50	Ball Bearing
51	SP-3005V-51	Pad